

LED SIGNMASTER CONVERSION INSTRUCTIONS



Ensure that personnel carrying out this conversion have the relevant qualifications/certificates and all work is carried out in accordance with BS6771:2008/I.E.E. Wiring Regulations 17th Edition. Ensure that all relevant personnel read the points listed within this leaflet and that a copy is given to staff involved with the installation and maintenance of this product. Glasdon recommends that a full Health and Safety analysis is carried out prior to installation.

UNIVERSAL INSTRUCTIONS - covers certain Haldo, True Signs & Signature Base Boxes
(For Diamond Traffic Installations Please Turn to Page 4)



IMPORTANT: ISOLATE PRIOR TO INSTALLATION
DO NOT HANDLE CIRCUIT WHEN GREEN LED IS LIT



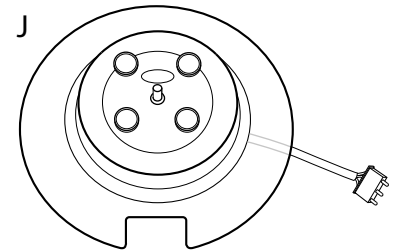
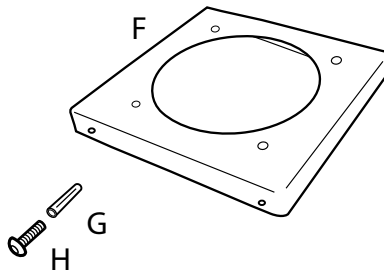
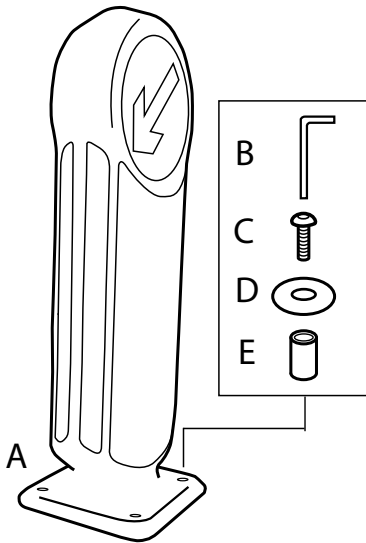
PLEASE NOTE THAT THE DIAGRAMS ARE FOR ILLUSTRATIVE PURPOSES ONLY, SHAPE MAY VARY DEPENDING ON EXISTING BOLLARD AND CONVERSION KIT PURCHASED

KIT CONTENTS

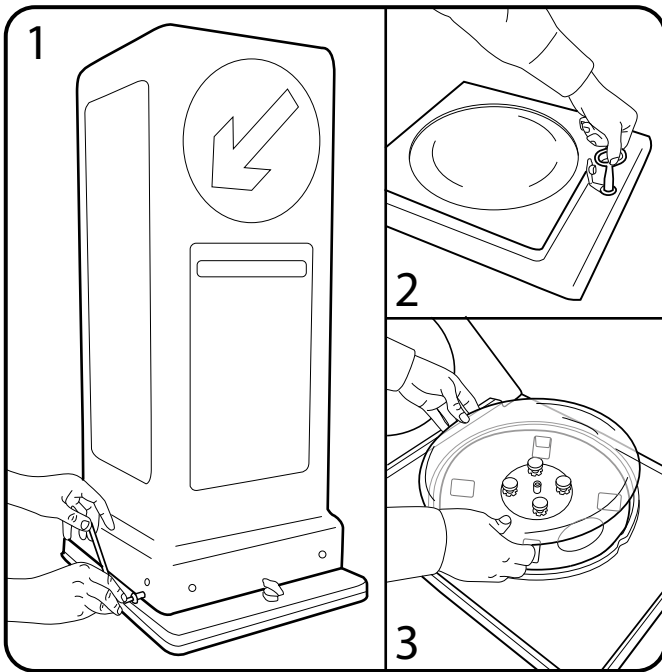
A - Signmaster Bollard x1
B - Allen Key 6mm x1
C - M10 x 50 Screw x4
D - Washer x4
E - Spacer x1

F - Adaptor Plate x1
G - Nylon Plug x4
H - Coach Screws x4
(13mm Spanner Required)

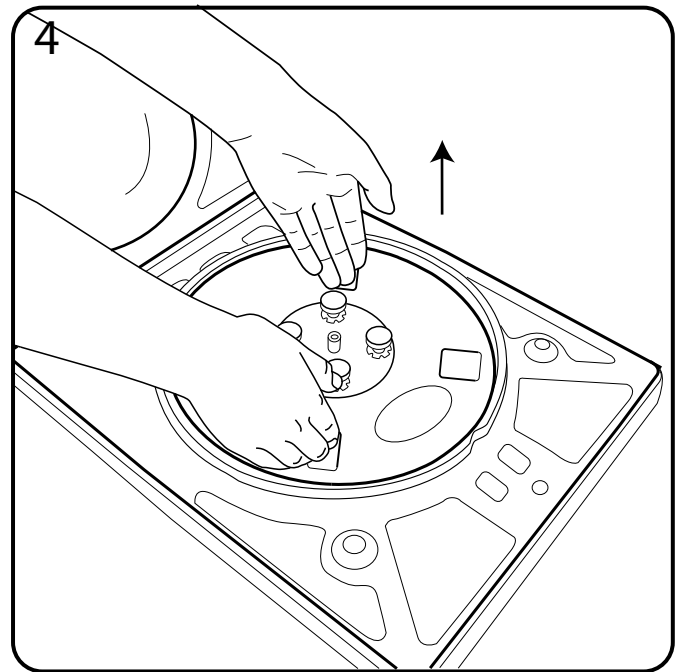
I - LED Conversion Plate x1



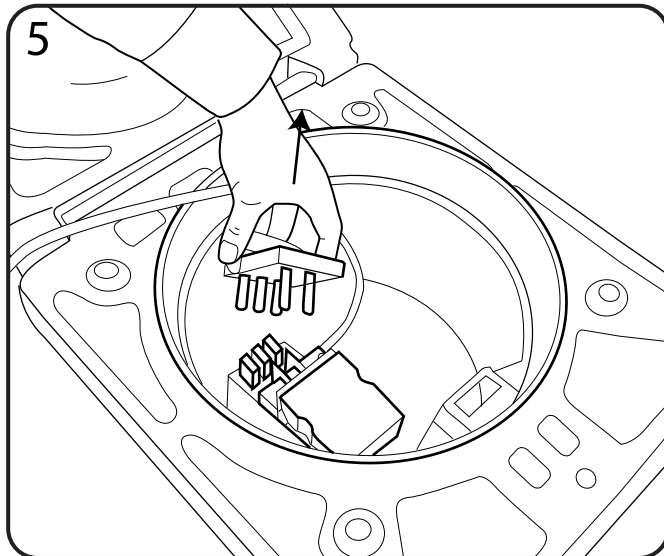
*Shape of plate may differ from the illustration above



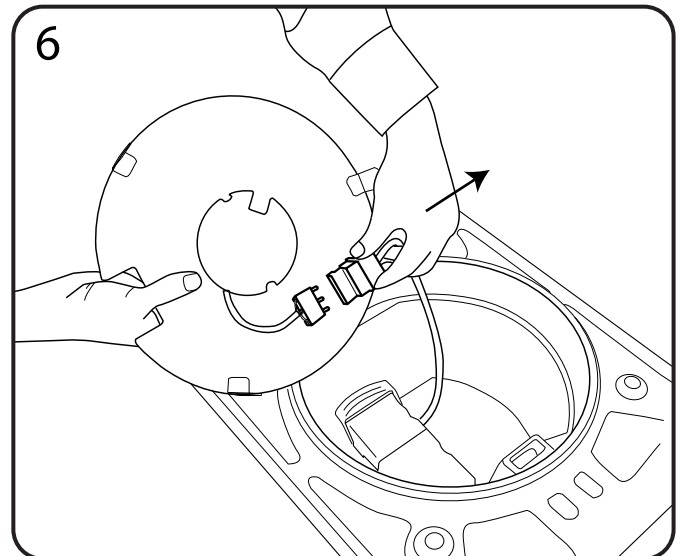
1 Firstly, remove the existing bollard from the base box by removing the screws using an allen key (see Figure 1). When removed unlock the box using the key supplied (Fig. 2), lift open the unit and lift off the lens (Fig. 3) and put to one side.



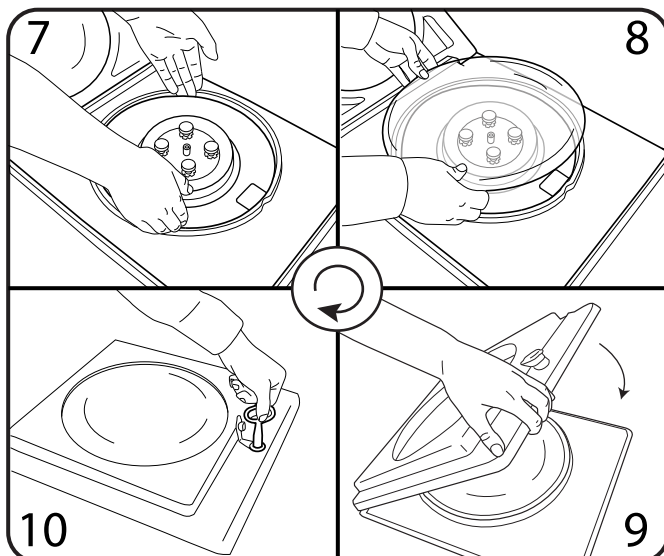
4 Lift out the existing light plate using the handles, shown above, to gain access to the inside of the unit (Note: Do not unplug the plate until step 6).



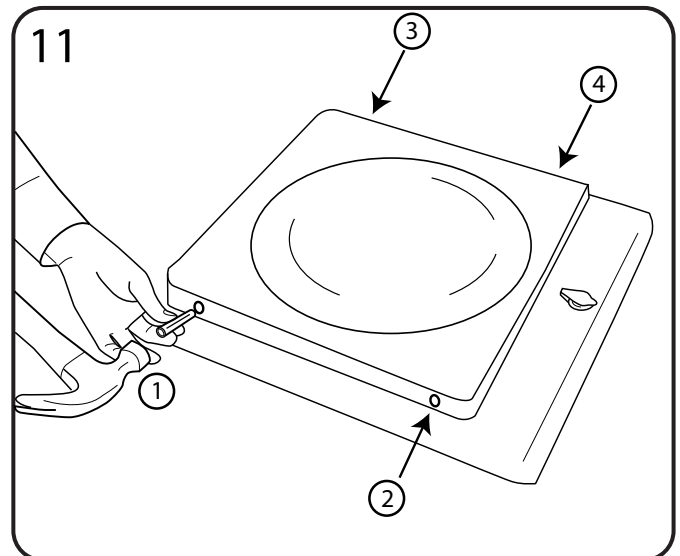
5 Isolate the Safety Cutout Box by lifting the lever and lifting out the removable section.



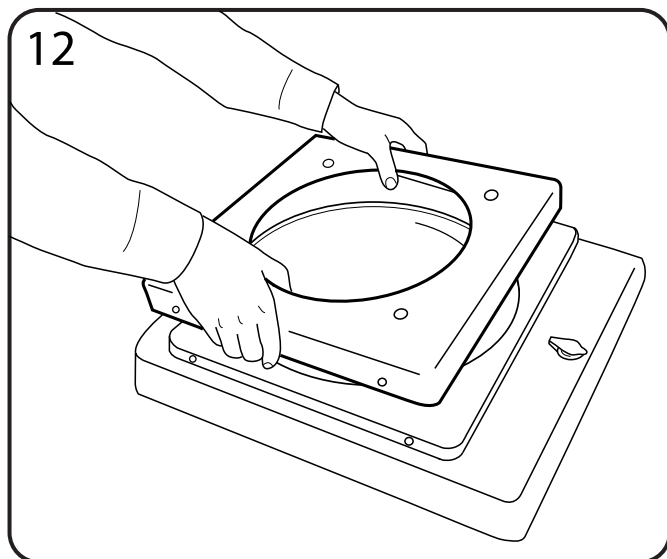
6 It is now safe to unplug the existing light plate and then plug in the new LED light plate.



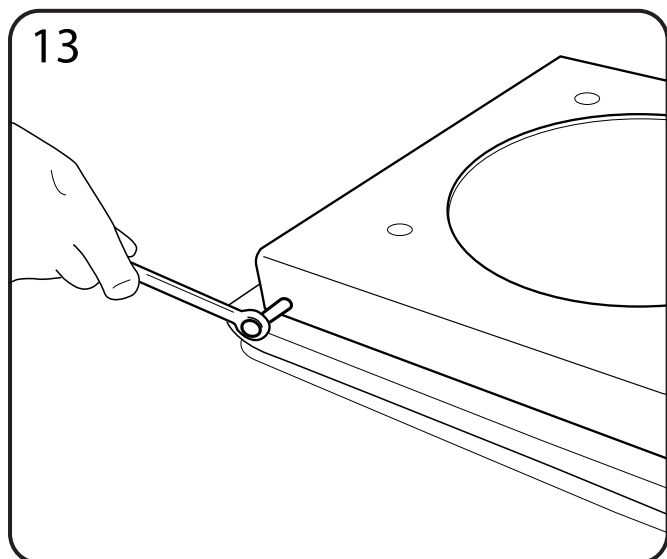
7 Now the new LED light plate is connected, the safety cut out box can be replaced and the unit can be closed by repositioning the new LED light plate (to check if the LEDs are working simply place your thumb over the phototransistor), replacing the lens, closing the lid and locking.



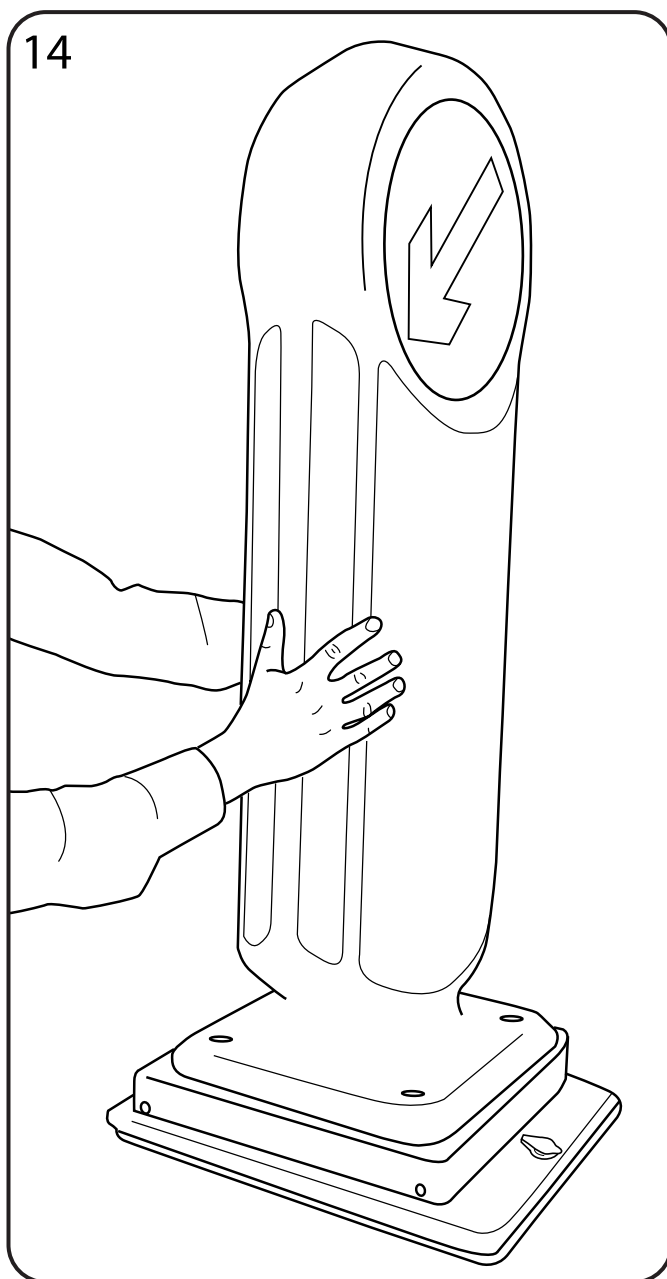
11 Ensure all existing fixings are removed from the hole (e.g. white nylon spacers). Insert a Nylon Plug (provided) into each of the four holes on



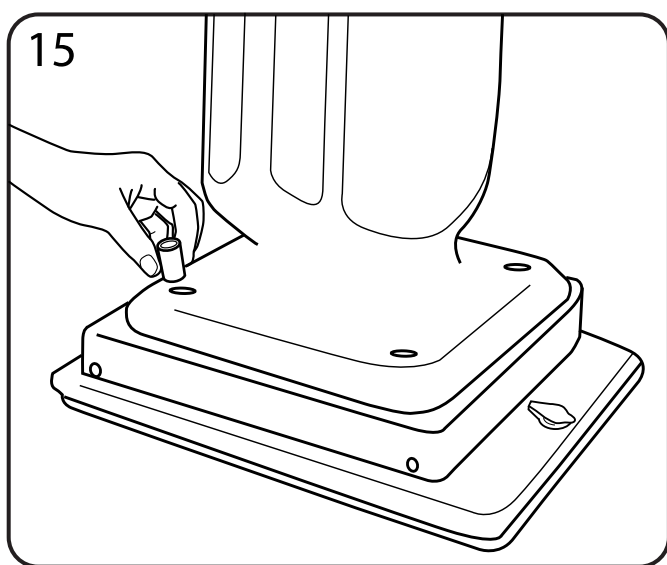
The Adaptor Plate is now positioned on top of the unit.



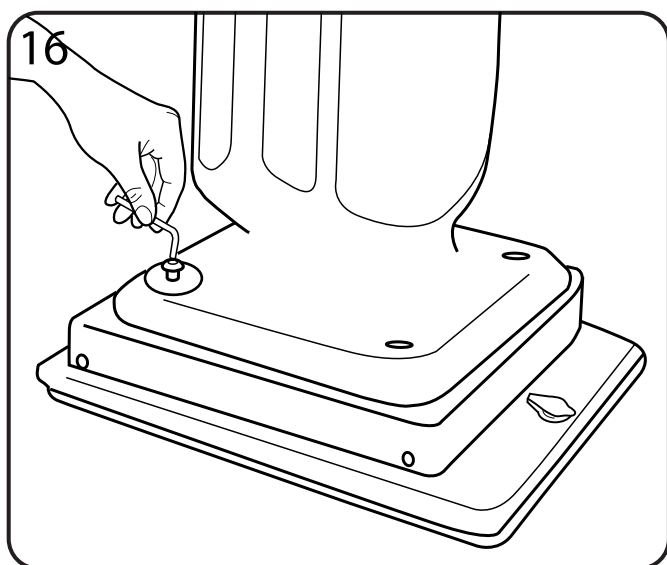
The Coach Screws (provided) can now be screwed into each hole and tightened using a 13mm Spanner.



Position your new Signmaster bollard on top of the Adaptor Plate.



Place a Spacer into each of the holes on the base of the Signmaster.



Now position a washer and an M10x50 Screw (both provided) into each of the four holes on the Signmaster and tighten using the 6mm Allen Key provided.

DIAMOND TRAFFIC INSTRUCTIONS - covers certain Diamond Traffic Base Boxes



IMPORTANT: ISOLATE PRIOR TO INSTALLATION

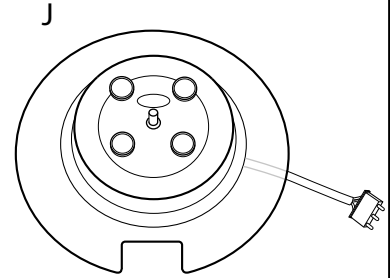
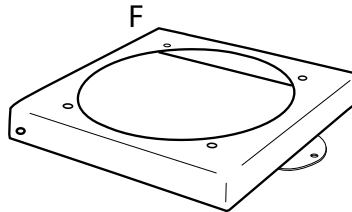
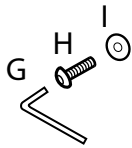
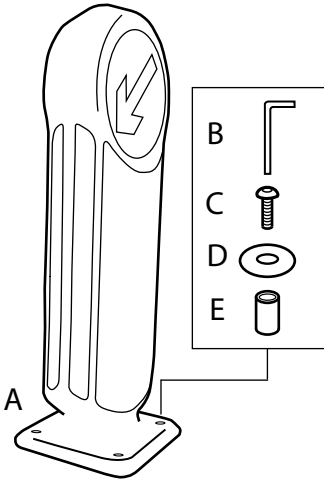


KIT CONTENTS

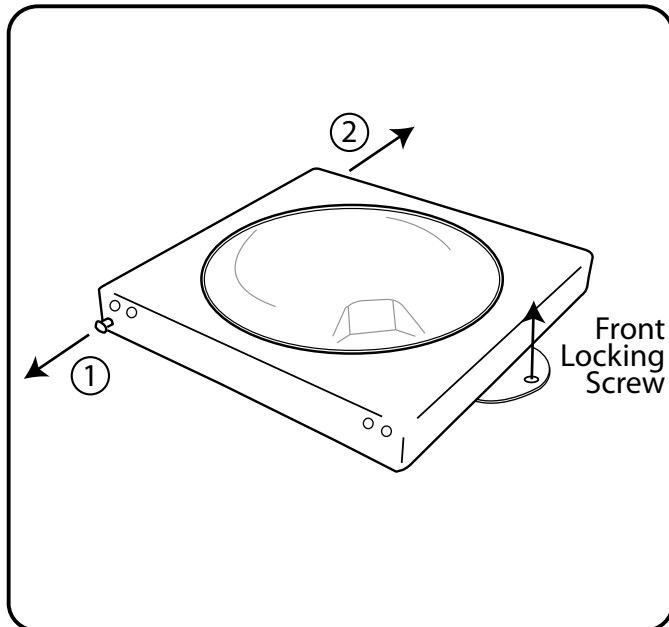
A - Signmaster Bollard x1
B - Allen Key 6mm x1
C - M10 x 50 Screw x4
D - Washer x4
E - Spacer x1

F - Adaptor Plate x1
G - Allen Key 5mm x1
H - M8 x 30 Screw x3
I - M8 Washer x3

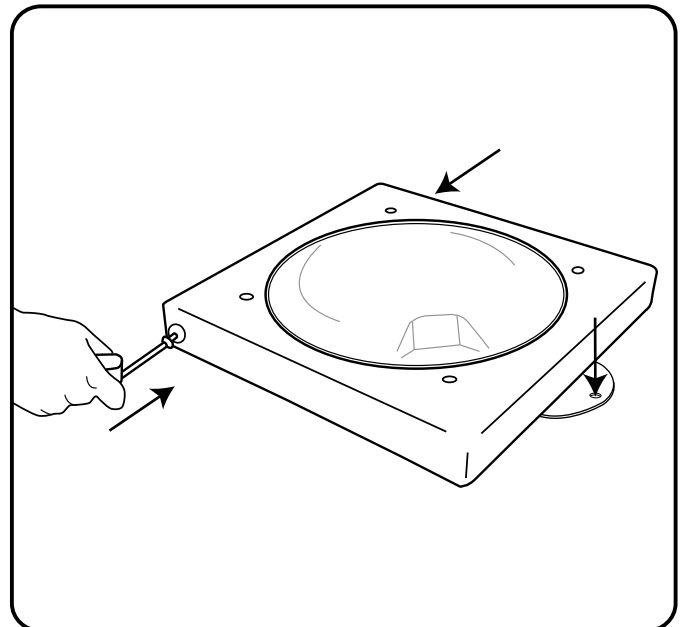
J - LED Conversion Plate x1



*Fixing method may differ from the illustration above



For Diamond Traffic Base Boxes follow the 'Universal Instructions' however after the existing bollard is removed (Step 1) the existing Adaptor Plate must be removed by removing the 2 screws (located at the rear) & front locking screw using a 13mm socket spanner and Diamond Traffic key. Note: Keep the front locking screw for use later.



During the fixing of the new Adaptor Plate (Steps 12 & 13) only 2 screws and 2 washers are inserted as shown above and tightened using the 5mm allen key provided. Use the front locking screw (removed earlier) to secure the new adaptor plate to the base box.



AND SIGNMASTER ARE TRADEMARKS OR REGISTERED TRADEMARKS OF GLASDON GROUP OR ITS SUBSIDIARIES IN THE U.K AND OTHER COUNTRIES

- A planned maintenance schedule or regular inspection is recommended, replacing components as necessary.
- Replacement components are available direct from GLASDON.
- GLASDON cannot be held responsible for claims arising from incorrect installation, unauthorised modifications or misuse of the product.

Issue 1 December 2008 C000/0337
 © Copyright 2008

Glasdon UK Ltd reserve the right to alter specifications without prior notice.



Glasdon U.K Limited

Preston New Road
 BLACKPOOL
 Lancashire FY4 4UL
 Tel: 01253 600410
 Fax: 01253 792558
 email: sales@glasdon-uk.co.uk
 web: www.glasdon.com